

# Technical data sheet



## Product features

### Chip scuttle + infrared heat lamp

<b>Model</b>	<b>SAP Code</b>	00006956
UH 12/IL 1	<b>A group of articles - web</b>	Fryers and French Fries Holders



- Maximum device temperature [°C]: 90
- Minimum device temperature [°C]: 30
- Material: AISI 430

<b>SAP Code</b>	00006956	<b>Net Weight [kg]</b>	8.50
<b>Net Width [mm]</b>	270	<b>Power electric [kW]</b>	0.850
<b>Net Depth [mm]</b>	330	<b>Loading</b>	2x 230 V / 1N - 50 Hz
<b>Net Height [mm]</b>	522		

# Technical data sheet



Technical drawing

## Chip scuttle + infrared heat lamp

Model

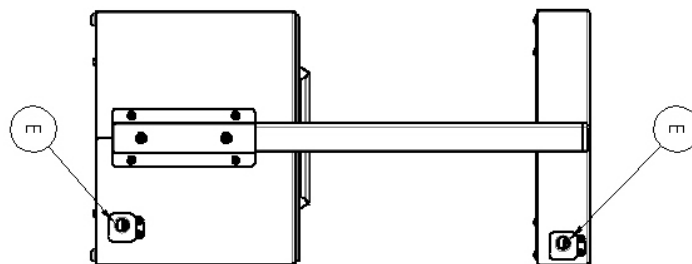
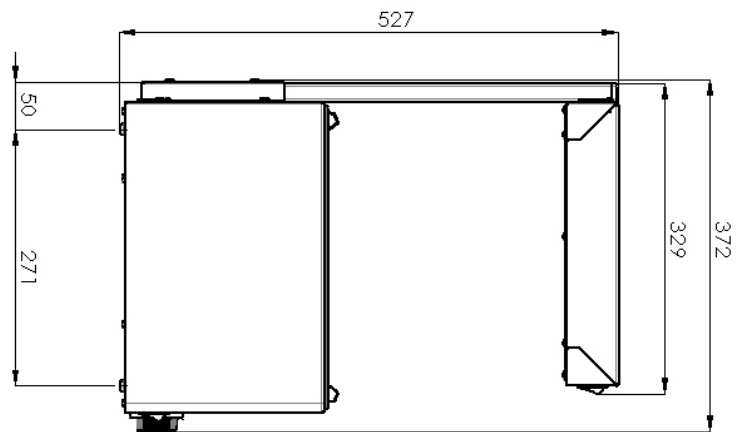
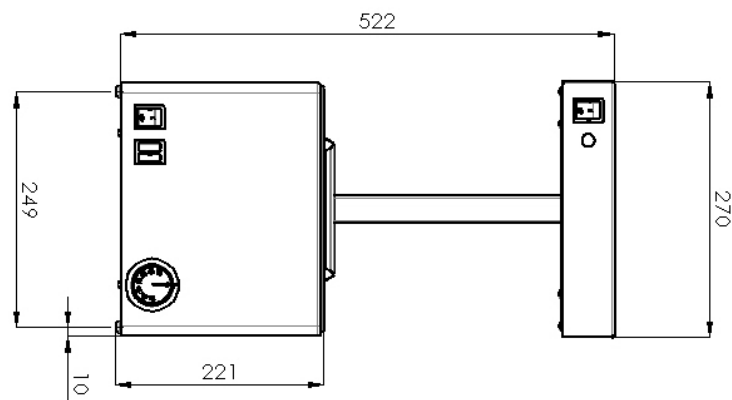
SAP Code

00006956

UH 12/IL 1

A group of articles - web

Fryers and French Fries Holders



# Technical data sheet



## Technical parameters

### Chip scuttle + infrared heat lamp

<b>Model</b>	<b>SAP Code</b>	00006956
UH 12/IL 1	<b>A group of articles - web</b>	Fryers and French Fries Holders

**1. SAP Code:**

00006956

**2. Net Width [mm]:**

270

**3. Net Depth [mm]:**

330

**4. Net Height [mm]:**

522

**5. Net Weight [kg]:**

8.50

**6. Gross Width [mm]:**

345

**7. Gross depth [mm]:**

350

**8. Gross Height [mm]:**

530

**9. Gross Weight [kg]:**

10.00

**10. Device type:**

Electric unit

**11. Construction type of device:**

Table top

**12. Power electric [kW]:**

0.850

**13. Loading:**

2x 230 V / 1N - 50 Hz

**14. Exterior color of the device:**

Stainless steel

**15. Material:**

AISI 430

**16. Indicators:**

operation and warm-up

**17. Maximum device temperature [°C]:**

90

**18. Minimum device temperature [°C]:**

30

**19. Cross-section of conductors CU [mm<sup>2</sup>]:**

0,5